

**IB831**

**VIA VX900**

**5.25-inch Disk Size SBC**

**USER'S MANUAL**

**Version 1.0**

---

## **Acknowledgments**

AMI is a registered trademark of American Megatrends Inc.  
PS/2 is a trademark of International Business Machines Corporation.

Microsoft Windows is a registered trademark of Microsoft Corporation.

Winbond is a registered trademark of Winbond Electronics Corporation.

All other product names or trademarks are properties of their respective owners.

---

# Table of Contents

<b>Introduction .....</b>	<b>1</b>
Product Description.....	1
Checklist.....	2
Specifications.....	3
Board Dimensions .....	4
<b>Installations .....</b>	<b>5</b>
Installing the Memory .....	6
Setting the Jumpers .....	7
Connectors on IB831.....	9
Bypass and WDT .....	15
Block Diagram:.....	15
Communication States: .....	15
Watchdog Timer Configuration .....	16
GPIO Function Definition.....	19
Digital I/O Sample Configuration.....	20
<b>BIOS Setup .....</b>	<b>25</b>
<b>Drivers Installation .....</b>	<b>45</b>
VIA VX900 VGA Driver Installation.....	46
Realtek LAN Driver Installation.....	49

---

This page is intentionally left blank.

---

# Introduction

## Product Description

---

---

The IB831 5.25-inch SBC incorporates the VIA VX900 chipset. Currently, the board is available in three models, namely:

Model	VIA Nano™ X2 Dual Core CPU	LAN Bypass	Watchdog Timer
IB831	1.2 GHz	Yes	Yes
IB831-NB	1.2 GHz	No	Yes

### IB831 Features

- Supports four Realtek 10/100/1000 LAN ports
- Supports 1.2GHz VIA Nano™ X2 U4300 processor
- DDR3 SO-DIMM x 1, up to 2GB
- Mini PCI-e (USB Signal) slot, Compact Flash socket
- Optional Hardware LAN Bypass function on Eth1 & 2

## **Checklist**

---

---

Your IB831 package should include the items listed below.

- The IB831 VIA Nano™ X2 motherboard
- 1 CD containing chipset drivers and flash memory utility
- Optional cables for VGA, KB/MS, Serial port, Serial ATA

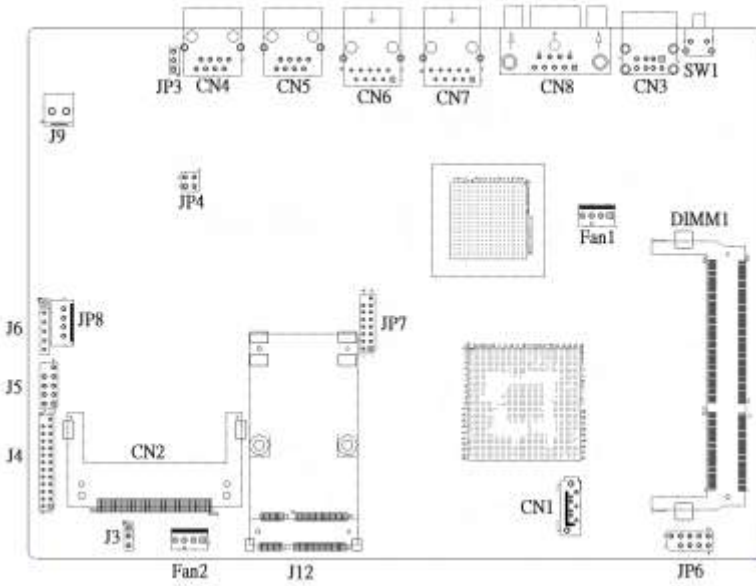
## Specifications

Form Factor	Desktop / Table Top Networking Product
CPU	<p>VIA Nano™ X2 U4300 Dual Core @ 1.2 GHz, 13W</p> <ul style="list-style-type: none"> <li>● x86 and x64 (64-bit) capability</li> <li>● Bus speeds up to 1066 MHz</li> <li>● Hardware Virtualization (VMX)</li> <li>● VIA Virtualization (VIA-VT)</li> <li>● Enhanced PowerSaver provides fastest performance state switching</li> <li>● Multi-processor support: Dual processing (SMP)</li> <li>● MMX, SSE, SSE2, SSSE3 and SSE4.1 compatible instructions</li> <li>● Two large (64-KB each, 16-way) Level 1 caches per core</li> <li>● 1 MB Level 2 victim cache (32-way) with ECC per core (2 MB Total)</li> <li>● Two Large TLBs (196 entries each, 12-way)</li> </ul>
Chipset	<p>VIA VX900 FSB 400~800 MHz, 4.5W</p> <ul style="list-style-type: none"> <li>● 1.2V Core Voltage</li> <li>● 800 / 533 / 400 MHz FSB support</li> <li>● PCI-e Gen2</li> <li>● 128 bit 2D Graphic Engine</li> </ul>
Ethernet controller	Onboard 4X Realtek RT8111E PCIe GbE with RJ45
Memory	<ul style="list-style-type: none"> <li>● Single channel DDR3 up to 1066MHz</li> <li>● SO-DIMM Socket x1</li> </ul>
Network	<ul style="list-style-type: none"> <li>● 4x Realtek RT8111E Gigabit LAN, optional Bypass</li> </ul>
Network Bypass	<ul style="list-style-type: none"> <li>● Up to One segments hardware Bypass (ETH 1 &amp; 2)</li> <li>● Control by GPIO / Watchdog / Electrical Disconnect (Power Off)</li> </ul>
Watchdog Timer	<ul style="list-style-type: none"> <li>● Yes (256 segments, 0, 1, 2...255 sec/min)</li> </ul>
Expansion Slot	Mini PCI-e Slot (USB Signal only)
Storage	Onboard CF Socket x1, SATA Connector x1
LED Indicators	<ul style="list-style-type: none"> <li>● Power (Green) / Status (Green) / Alarm (Red)</li> <li>● LAN: Speed 10Mbps: LED off</li> <li>          100Mbps: Green</li> <li>          1000Mbps: Amber</li> <li>● Link / ACT: Green / Green Blinking</li> </ul>
Edge Connectors	<ul style="list-style-type: none"> <li>● DC +12V inlet</li> <li>● RJ45 x4</li> <li>● DB-9 Console Port</li> <li>● USB 2.0 x2</li> </ul>
USB 2.0	2 ports
VGA	Pin header on board
Power	DC-In +12V
Dimensions	203 (W) x 146 (D) mm

# Board Dimensions

---

203 (W) x 146 (D) mm





## Installations

This section provides information on how to use the jumpers and connectors on the IB831 in order to set up a workable system. The topics covered are:

Installing the Memory.....	6
Setting the Jumpers .....	7
Connectors on IB831 .....	9
Bypass and WDT.....	15
Block Diagram:.....	15
Communication States: .....	15
Watchdog Timer Configuration.....	16
GPIO Function Definition.....	19
Digital I/O Sample Configuration.....	20

## Installing the Memory

---

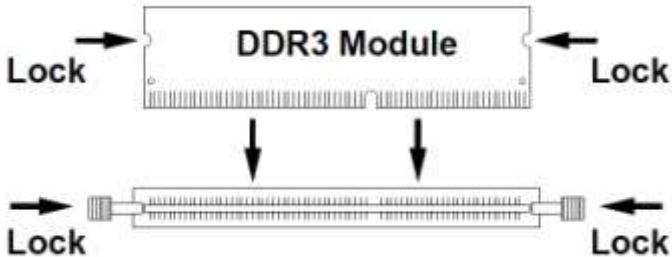
---

The IB831 board supports one DDR3 memory socket for a maximum total memory of 2GB in DDR3 memory type.

### Installing and Removing Memory Modules

To install the DDR3 modules, locate the memory slot on the board and perform the following steps:

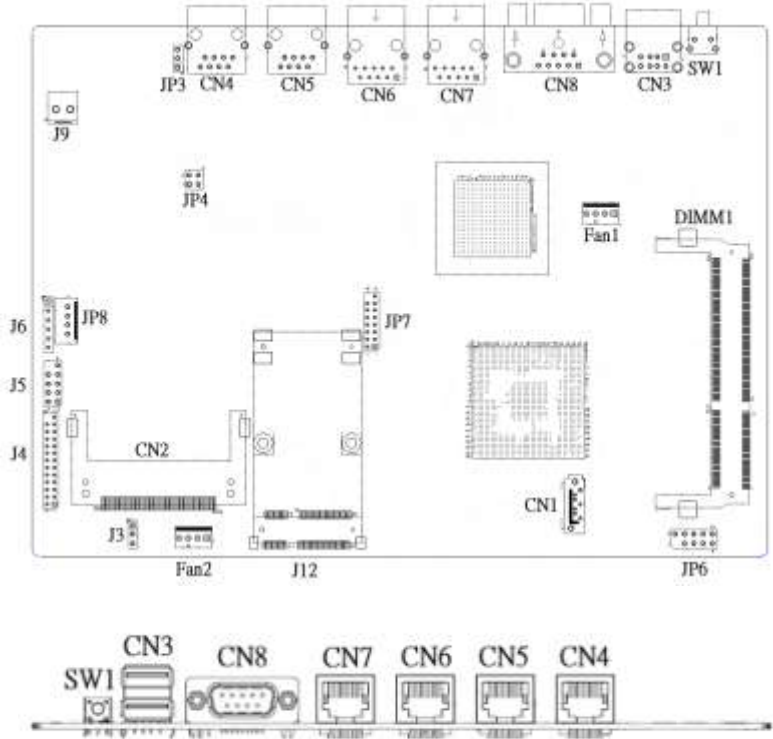
1. Hold the DDR3 module so that the key of the DDR3 module aligns with those on the memory slot.
2. Gently push the DDR3 module in an upright position until the clips of the slot close to hold the DDR3 module in place when the DDR3 module touches the bottom of the slot.
3. To remove the DDR3 module, press the clips with both hands.



## Setting the Jumpers

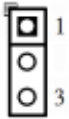
Jumpers are used on IB831 to select various settings and features according to your needs and applications. Contact your supplier if you have doubts about the best configuration for your needs.

### Jumper Locations on IB831



Jumpers on IB831 .....	7
J3: Clear CMOS Setting.....	8
JP3: LAN bypass controlled Setting.....	8
JP4: Bypass LANs & Reboot Setting .....	8

**J3: Clear CMOS Setting**



J3	Setting
 1 2 3	Normal
 1 2 3	Clear CMOS

**JP3 & JP4: Bypass LANs & Reboot Setting**

JP3, JP4	Jumper Setting	Function	Power Off		Power On		Power On OS Run Software	
			LAN Normal	LAN Bypass	LAN Normal	LAN Bypass	LAN Normal	LAN Bypass
	JP4 Pin 1-2 & 3-4 Open JP3 Pin 2-3 Closed	System LANs bypass function is controlled by Super I/O GP23.		✓		✓	GP23: High Active: Bypass Low Active: Normal	
	JP4 Pin 1-2 & 3-4 Closed JP3 Pin 1-2 Closed	System LANs will be always at normal System will reboot upon the time out of watchdog timer.		✓	✓		LAN Always Normal WDT Reboot System	
	JP4 Pin 1-2 Open & 3-4 Closed JP3 Pin 2-3 Closed	System LANs bypass function is controlled by Super I/O GP23 System will reboot upon the time out of		✓		✓	GP23: High Active: Bypass Low Active: Normal WDT Reboot System	

IE831 Default

---

## Connectors on IB831

---

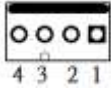
The connectors on IB831 allow you to connect external devices such as keyboard, floppy disk drives, hard disk drives, printers, etc. The following table lists the connectors on IB831 and their respective functions.

FAN1: CPU Fan Power Connector .....	10
FAN2: System Fan Power Connector.....	10
CN3: USB1/2 Ports.....	10
CN4, CN5: 10/100 /1000 RJ-45 Ports.....	10
CN6, CN7: 10/100 /1000 RJ-45 Ports.....	10
CN8: COM1 Serial Port.....	11
SW1: System Reset .....	11
CN1: Serial ATA Port.....	11
J4: Parallel Port.....	11
J5: LPC Debug Port .....	11
J6: PS/2 Keyboard and PS/2 Mouse Connectors .....	12
J9: AT_12V Connector .....	12
J12: Mini PCI-E Connector (top side).....	12
JP6: SPI Debug Port .....	13
JP7: VGA Connector .....	13
JP8: HDD Power Connector (Output: Max. 2A).....	13
CN2: Compact Flash Connector (top side).....	14

## INSTALLATION

### FAN1: CPU Fan Power Connector

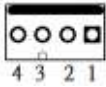
FAN1 is a 4-pin header for the CPU fan. The fan must be 12V (Max. 1A).



Pin #	Signal Name
1	Ground
2	+12V
3	Rotation detection
4	Rotation control

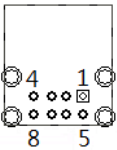
### FAN2: System Fan Power Connector

FAN2 is a 4-pin header for system fans. The fan must be 12V (Max. 1A).



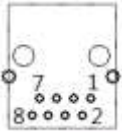
Pin #	Signal Name
1	Ground
2	+12V
3	Rotation detection
4	Rotation control

### CN3: USB1/2 Ports



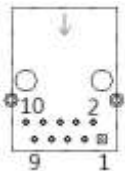
Signal Name	Pin #	Pin #	Signal Name
+5V	1	5	+5V
D-	2	6	D-
D+	3	7	D+
GND	4	8	GND

### CN4, CN5: 10/100 /1000 RJ-45 Ports



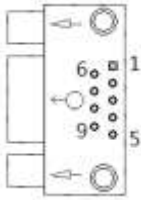
Signal Name	Pin #	Pin #	Signal Name
TX+	1	2	TX-
RX+	3	4	NC
NC	5	6	RX-
NC	7	8	NC

### CN6, CN7: 10/100 /1000 RJ-45 Ports



Signal Name	Pin #	Pin #	Signal Name
TX+	1	2	TX-
RX+	3	4	RX-
TCT	5	6	RCT
MDI2+	7	8	MDI2-
MDI3+	9	10	MDI3+

**CN8: COM1 Serial Port**

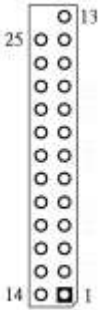


Pin #	Signal Name
1	DCD, Data carrier detect
2	RXD, Receive data
3	TXD, Transmit data
4	DTR, Data terminal ready
5	Ground
6	DSR, Data set ready
7	RTS, Request to send
8	CTS, Clear to send
9	RI, Ring indicator

**SW1: System Reset**

**CN1: Serial ATA Port**

**J4: Parallel Port**



Signal Name	Pin #	Pin #	Signal Name
STB-	1	14	AFD-
PD0	2	15	ERR-
PD1	3	16	INIT-
PD2	4	17	SLIN-
PD3	5	18	Ground
PD4	6	19	Ground
PD5	7	20	Ground
PD6	8	21	Ground
PD7	9	22	Ground
ACK-	10	23	Ground
BUSY	11	24	Ground
PE	12	25	Ground
SLCT	13		

**J5: LPC Debug Port**



Signal Name	Pin #	Pin #	Signal Name
LAD0	1	2	LRESET
LAD1	3	4	LFRAME#
LAD2	5	6	+3.3V
LAD3	7	8	Ground
PCI_CLK1	9		

## J6: PS/2 Keyboard and PS/2 Mouse Connectors



Pin #	Signal Name
1	KBDA
2	KBCL
3	MDA
4	MCL
5	Ground
6	+5VSUS

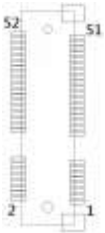
## J9: AT\_12V Connector

J9 is a DC-in internal connector supporting +12V.



Pin #	Signal Name
1	+12V
2	Ground

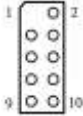
## J12: Mini PCI-E Connector (top side)



Pin	Signal	Pin	Signal	Pin	Signal
1	WAKE#	19	RSVD4(UIM)	37	GND
2	+3.3Vaux	20	W_DISABLE	38	USB_D+
3	COEX1	21	GND	39	+3.3Vaux
4	GND	22	PERST#	40	GND
5	COEX2	23	PER_N0	41	+3.3Vaux
6	+1.5V	24	+3.3Vaux	42	LED_WWAN#
7	CLKREQ#	25	PER_P0	43	GND
8	UIM_PWR	26	GND	44	LED_WLAN#
9	GND	27	GND	45	RSVD9
10	UIM_DATA	28	+1.5V	46	LED_WPAN#
11	REFCLK-	29	GND	47	RSVD10
12	UIM_CLK	30	SMB_CLK	48	+1.5V
13	REFCLK+	31	PET_N0	49	RSVD11
14	UIM_RESET	32	SMB_DATA	50	GND
15	GND	33	PET_P0	51	RSVD12
16	UIM_CLK	34	GND	52	+3.3Vaux
17	RSVD3(UIM)	35	GND		
18	GND	36	USB_D-		

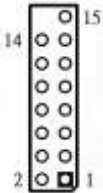


**JP6: SPI Debug Port**



Signal Name	Pin #	Pin #	Signal Name
		2	NC
MSPISS0	3	4	SPIVCC
MSPIDI	5	6	-HOLD
-WP	7	8	MSPICLK
GND	9	10	MSPIDO

**JP7: VGA Connector**



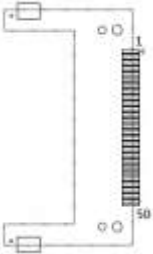
Signal Name	Pin #	Pin #	Signal Name
DACR	1	2	+5VCRT
DACG	3	4	GND
DACB	5	6	NC
NC	7	8	CRT_SPD
GND	9	10	HSYNC_C
+5VCRT	11	12	VSYNC_C
GND	13	14	CRT_SPCLK
GND	15		

**JP8: HDD Power Connector (Output: Max. 2A)**



Pin #	Signal Name
1	+5V
2	Ground
3	Ground
4	+12V

Note: +12V power is provided with 2A maximum load.

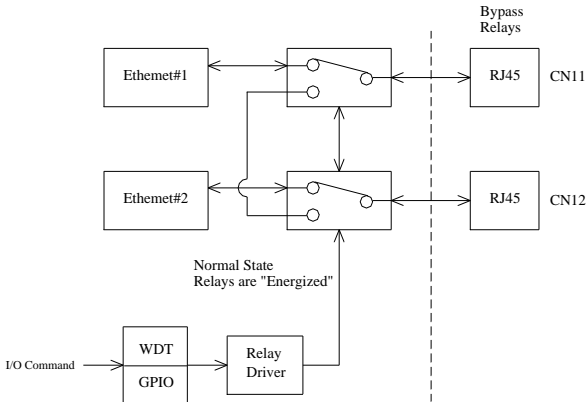
**CN2: Compact Flash Connector (top side)**

Pin	Signal	Pin	Signal	Pin	Signal
1	GND	18	A02	35	IOW#
2	D03	19	A01	36	WE#
3	D04	20	A00	37	INTRQ
4	D05	21	D00	38	VCC
5	D06	22	D01	39	CSEL#
6	D07	23	D02	40	NC/VS2
7	CS0#	24	IOCS16#	41	RESET#
8	GND/A10	25	CD2#	42	IORDY
9	ATA_SEL#	26	CD1#	43	NC/NPACK#
10	GND/A09	27	D11	44	VCC/REG#
11	GND/A08	28	D12	45	DASP#
12	GND/A07	29	D13	46	PDIAG#
13	VCC	30	D14	47	D08
14	GND/A06	31	D15	48	D09
15	GND/A05	32	CS1#	49	D10
16	GND/A04	33	GND/VS1#	50	GND
17	GND/A03	34	IOR#		

## Bypass and WDT

The bypass function is used to link (or short) two independent Ethernet ports when user's application software halts or when power is off.

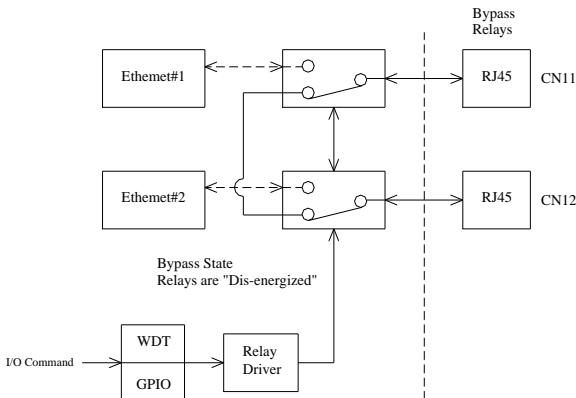
### Block Diagram:



### Communication States:

There are two communications states for the bypass function: (1) Normal State, (2) Bypass State. A watchdog timer (WDT) or a GPIO are used to control and switch the communication between the two states.

The block diagram in the section above shows the Normal State, where the two Ethernet ports work independently. The following diagram shows the Bypass State, where the two Ethernet ports are bypassed.



## Watchdog Timer Configuration

---

---

The WDT is used to generate a variety of output signals after a user programmable count. The WDT is suitable for use in the prevention of system lock-up, such as when software becomes trapped in a deadlock. Under these sort of circumstances, the timer will count to zero and the selected outputs will be driven. Under normal circumstance, the user will restart the WDT at regular intervals before the timer counts to zero.

### SAMPLE CODE:

This code and information is provided "as is" without warranty of any kind, either expressed or implied, including but not limited to the implied warranties of merchantability and/or fitness for a particular purpose.

---

---

Filename : Main.cpp

---

---

```
//-----  
//  
// THIS CODE AND INFORMATION IS PROVIDED "AS IS" WITHOUT WARRANTY OF ANY  
// KIND, EITHER EXPRESSED OR IMPLIED, INCLUDING BUT NOT LIMITED TO THE  
// IMPLIED WARRANTIES OF MERCHANTABILITY AND/OR FITNESS FOR A PARTICULAR  
// PURPOSE.  
//  
//-----  
#include <dos.h>  
#include <conio.h>  
#include <stdio.h>  
#include <stdlib.h>  
#include "W627DHG.H"  
//-----  
int main (void);  
  
void WDTInitial(void);  
void WDTEnable(unsigned char);  
void WDTDisable(void);  
  
//-----  
int main (void)  
{  
    char SIO;  
  
    SIO = Init_W627DHG();  
    if (SIO == 0)  
    {  
        printf("Can not detect Winbond 83627DHG, program abort.\n");  
        return(1);  
    }  
  
    WDTInitial();  
  
    WDTEnable(10);  
  
    WDTDisable();  
  
    return 0;  
}  
//-----  
void WDTInitial(void)  
{  
    unsigned char bBuf;
```

```

    bBuf = Get_W627DHG_Reg(0x2D);
    bBuf &= (~0x01);
    Set_W627DHG_Reg(0x2D, bBuf);           //Enable WDTO
}
//-----
void WDTEnable(unsigned char NewInterval)
{
    unsigned char bBuf;

    Set_W627DHG_LD(0x08);                 //switch to logic device 8
    Set_W627DHG_Reg(0x30, 0x01);         //enable timer

    bBuf = Get_W627DHG_Reg(0xF5);
    bBuf &= (~0x08);
    Set_W627DHG_Reg(0xF5, bBuf);         //count mode is second

    Set_W627DHG_Reg(0xF6, NewInterval);  //set timer
}
//-----
void WDTDisable(void)
{
    Set_W627DHG_LD(0x08);                 //switch to logic device 8
    Set_W627DHG_Reg(0xF6, 0x00);         //clear watchdog timer
    Set_W627DHG_Reg(0x30, 0x00);         //watchdog disabled
}
//-----

```

Filename : W697hf.cpp

```

//-----
//
// THIS CODE AND INFORMATION IS PROVIDED "AS IS" WITHOUT WARRANTY OF ANY
// KIND, EITHER EXPRESSED OR IMPLIED, INCLUDING BUT NOT LIMITED TO THE
// IMPLIED WARRANTIES OF MERCHANTABILITY AND/OR FITNESS FOR A PARTICULAR
// PURPOSE.
//
//-----
#include "W627DHG.H"
#include <dos.h>
//-----
unsigned int W627DHG_BASE;
void Unlock_W627DHG (void);
void Lock_W627DHG (void);
//-----
unsigned int Init_W627DHG(void)
{
    unsigned int result;
    unsigned char ucDid;

    W627DHG_BASE = 0x4E;
    result = W627DHG_BASE;

    ucDid = Get_W627DHG_Reg(0x20);
    if (ucDid == 0xA0)           //W83627DHG??
    {
        goto Init_Finish;
    }
    else if (ucDid == 0xB0)      //W83627DHG-P??
    {
        goto Init_Finish;
    }

    W627DHG_BASE = 0x2E;
    result = W627DHG_BASE;

    ucDid = Get_W627DHG_Reg(0x20);
    if (ucDid == 0xA0)           //W83627DHG??
    {
        goto Init_Finish;
    }
    else if (ucDid == 0xB0)      //W83627DHG-P??
    {
        goto Init_Finish;
    }

    W627DHG_BASE = 0x00;
    result = W627DHG_BASE;
}

```

## INSTALLATION

---

```
Init_Finish:
    return (result);
}
//-----
void Unlock_W627DHG (void)
{
    outportb(W627DHG_INDEX_PORT, W627DHG_UNLOCK);
    outportb(W627DHG_INDEX_PORT, W627DHG_UNLOCK);
}
//-----
void Lock_W627DHG (void)
{
    outportb(W627DHG_INDEX_PORT, W627DHG_LOCK);
}
//-----
void Set_W627DHG_LD( unsigned char LD)
{
    Unlock_W627DHG();
    outportb(W627DHG_INDEX_PORT, W627DHG_REG_LD);
    outportb(W627DHG_DATA_PORT, LD);
    Lock_W627DHG();
}
//-----
void Set_W627DHG_Reg( unsigned char REG, unsigned char DATA)
{
    Unlock_W627DHG();
    outportb(W627DHG_INDEX_PORT, REG);
    outportb(W627DHG_DATA_PORT, DATA);
    Lock_W627DHG();
}
//-----
unsigned char Get_W627DHG_Reg(unsigned char REG)
{
    unsigned char Result;
    Unlock_W627DHG();
    outportb(W627DHG_INDEX_PORT, REG);
    Result = inportb(W627DHG_DATA_PORT);
    Lock_W627DHG();
    return Result;
}
//-----
```

Filename : W697hf.h

---

---

```
//-----
//
// THIS CODE AND INFORMATION IS PROVIDED "AS IS" WITHOUT WARRANTY OF ANY
// KIND, EITHER EXPRESSED OR IMPLIED, INCLUDING BUT NOT LIMITED TO THE
// IMPLIED WARRANTIES OF MERCHANTABILITY AND/OR FITNESS FOR A PARTICULAR
// PURPOSE.
//
//-----
#ifndef __W627DHG_H
#define __W627DHG_H                1
//-----
#define W627DHG_INDEX_PORT        (W627DHG_BASE)
#define W627DHG_DATA_PORT         (W627DHG_BASE+1)
//-----
#define W627DHG_REG_LD            0x07
//-----
#define W627DHG_UNLOCK            0x87
#define W627DHG_LOCK              0xAA
//-----
unsigned int Init_W627DHG(void);
void Set_W627DHG_LD( unsigned char);
void Set_W627DHG_Reg( unsigned char, unsigned char);
unsigned char Get_W627DHG_Reg( unsigned char);
//-----
#endif // __W627DHG_H
```

---

## GPIO Function Definition

---

The IB831 has defined some of the GPI function to satisfy various requirements. Here are the definitions for the GPIO function:

LED	GPIO #	Active	Color
Status1	GPIO37	Low	Green
Status2	GPIO36	Low	Green
Alarm	GPIO35	Low	Red



# Digital I/O Sample Configuration

Filename : Main.cpp

```
//-----  
//  
// THIS CODE AND INFORMATION IS PROVIDED "AS IS" WITHOUT WARRANTY OF ANY  
// KIND, EITHER EXPRESSED OR IMPLIED, INCLUDING BUT NOT LIMITED TO THE  
// IMPLIED WARRANTIES OF MERCHANTABILITY AND/OR FITNESS FOR A PARTICULAR  
// PURPOSE.  
//  
//-----  
#include <dos.h>  
#include <conio.h>  
#include <stdio.h>  
#include <stdlib.h>  
#include "W627DHG.H"  
//-----  
int main (void);  
  
void Dio3Initial(void);  
void Dio3SetOutput(unsigned char);  
unsigned char Dio3GetInput(void);  
void Dio3SetDirection(unsigned char);  
unsigned char Dio3GetDirection(void);  
  
void Dio2Initial(void);  
void Dio2SetOutput(unsigned char);  
unsigned char Dio2GetInput(void);  
void Dio2SetDirection(unsigned char);  
unsigned char Dio2GetDirection(void);  
  
//-----  
int main (void)  
{  
  
    char SIO;  
  
    SIO = Init_W627DHG();  
    if (SIO == 0)  
    {  
        printf("Can not detect Winbond 83627DHG, program abort.\n");  
        return(1);  
    }  
  
    Dio2Initial();  
    Dio3Initial();  
  
    //for GPIO20..27  
    Dio2SetDirection(0xF7);           //GP23 =output  
    printf("Set DIO23 output to high\n");  
    Dio2SetOutput(0x08);  
  
    printf("Set DIO23 output to low\n");  
    Dio2SetOutput(0x00);  
  
    //for GPIO30..37  
    Dio3SetDirection(0x0F);           //GP30..33 = input, GP34..37=output  
    printf("Current DIO3 direction = 0x%X\n", Dio3GetDirection());  
  
    printf("Current DIO3 status = 0x%X\n", Dio3GetInput());  
  
    printf("Set DIO3 output to high\n");  
    Dio3SetOutput(0x0F);  
  
    printf("Set DIO3 output to low\n");  
    Dio3SetOutput(0x00);  
  
    return 0;  
}  
//-----
```



```
void Dio2Initial(void)
{
    unsigned char ucBuf;

    //switch GPIO multi-function pin
    Set_W627DHG_LD(0x09);

    //enable the GP2 group
    ucBuf = Get_W627DHG_Reg(0x30);
    ucBuf |= 0x01;
    Set_W627DHG_Reg(0x30, ucBuf);

    //input detect type
    Set_W627DHG_Reg(0xE5, 0x00);
}
//-----
void Dio2SetOutput(unsigned char NewData)
{
    //NewData : 1 for input, 0 for output
    Set_W627DHG_LD(0x09);
    Set_W627DHG_Reg(0xE4, NewData);
}
//-----
unsigned char Dio2GetInput(void)
{
    unsigned char result;

    Set_W627DHG_LD(0x09);
    result = Get_W627DHG_Reg(0xE4);
    return (result);
}
//-----
void Dio2SetDirection(unsigned char NewData)
{
    //NewData : 1 for input, 0 for output
    Set_W627DHG_LD(0x09);
    Set_W627DHG_Reg(0xE3, NewData);
}
//-----
unsigned char Dio2GetDirection(void)
{
    unsigned char result;

    Set_W627DHG_LD(0x09);
    result = Get_W627DHG_Reg(0xE3);
    return (result);
}
//-----
void Dio3Initial(void)
{
    unsigned char ucBuf;

    //switch GPIO multi-function pin
    ucBuf = Get_W627DHG_Reg(0x2C);
    ucBuf &= 0x1F;
    Set_W627DHG_Reg(0x2C, ucBuf);

    Set_W627DHG_LD(0x09);

    //enable the GP3 group
    ucBuf = Get_W627DHG_Reg(0x30);
    ucBuf |= 0x02;
    Set_W627DHG_Reg(0x30, ucBuf);

    //input detect type
    Set_W627DHG_Reg(0xFE, 0xFF);
}
//-----
void Dio3SetOutput(unsigned char NewData)
{

```

## INSTALLATION

---

```
        Set_W627DHG_LD(0x09);
        Set_W627DHG_Reg(0xF1, NewData);
}
//-----
unsigned char Dio3GetInput(void)
{
    unsigned char result;

    Set_W627DHG_LD(0x09);
    result = Get_W627DHG_Reg(0xF1);
    return (result);
}
//-----
void Dio3SetDirection(unsigned char NewData)
{
    //NewData : 1 for input, 0 for output
    Set_W627DHG_LD(0x09);
    Set_W627DHG_Reg(0xF0, NewData);
}
//-----
unsigned char Dio3GetDirection(void)
{
    unsigned char result;

    Set_W627DHG_LD(0x09);
    result = Get_W627DHG_Reg(0xF0);
    return (result);
}
//-----
```

Filename : W627DHG.cpp

---

---

```
//-----
//
// THIS CODE AND INFORMATION IS PROVIDED "AS IS" WITHOUT WARRANTY OF ANY
// KIND, EITHER EXPRESSED OR IMPLIED, INCLUDING BUT NOT LIMITED TO THE
// IMPLIED WARRANTIES OF MERCHANTABILITY AND/OR FITNESS FOR A PARTICULAR
// PURPOSE.
//
//-----
#include "W627DHG.H"
#include <dos.h>
//-----
unsigned int W627DHG_BASE;
void Unlock_W627DHG (void);
void Lock_W627DHG (void);
//-----
unsigned int Init_W627DHG(void)
{
    unsigned int result;
    unsigned char ucDid;

    W627DHG_BASE = 0x4E;
    result = W627DHG_BASE;

    ucDid = Get_W627DHG_Reg(0x20);
    if (ucDid == 0xA0)
    {
        goto Init_Finish; }
    else if (ucDid == 0xB0) //W83627DHG-P??
    {
        goto Init_Finish; }

    W627DHG_BASE = 0x2E;
    result = W627DHG_BASE;

    ucDid = Get_W627DHG_Reg(0x20);
    if (ucDid == 0xA0)
    {
        goto Init_Finish; }
    else if (ucDid == 0xB0) //W83627DHG-P??
    {
        goto Init_Finish; }
}
```

```

        W627DHG_BASE = 0x00;
        result = W627DHG_BASE;

Init_Finish:
        return (result);
    }
//-----
void Unlock_W627DHG (void)
{
        outportb(W627DHG_INDEX_PORT, W627DHG_UNLOCK);
        outportb(W627DHG_INDEX_PORT, W627DHG_UNLOCK);
}
//-----
void Lock_W627DHG (void)
{
        outportb(W627DHG_INDEX_PORT, W627DHG_LOCK);
}
//-----
void Set_W627DHG_LD( unsigned char LD)
{
        Unlock_W627DHG();
        outportb(W627DHG_INDEX_PORT, W627DHG_REG_LD);
        outportb(W627DHG_DATA_PORT, LD);
        Lock_W627DHG();
}
//-----
void Set_W627DHG_Reg( unsigned char REG, unsigned char DATA)
{
        Unlock_W627DHG();
        outportb(W627DHG_INDEX_PORT, REG);
        outportb(W627DHG_DATA_PORT, DATA);
        Lock_W627DHG();
}
//-----
unsigned char Get_W627DHG_Reg(unsigned char REG)
{
        unsigned char Result;
        Unlock_W627DHG();
        outportb(W627DHG_INDEX_PORT, REG);
        Result = inportb(W627DHG_DATA_PORT);
        Lock_W627DHG();
        return Result;
}
//-----

        W697HF_BASE = 0x00;
        result = W697HF_BASE;

Init_Finish:
        return (result);
}
//=====
void Unlock_W697HF (void)
{
        outportb(W697HF_INDEX_PORT, W697HF_UNLOCK);
        outportb(W697HF_INDEX_PORT, W697HF_UNLOCK);
}
//=====
void Lock_W697HF (void)
{
        outportb(W697HF_INDEX_PORT, W697HF_LOCK);
}
//=====
void Set_W697HF_LD( unsigned char LD)
{
        Unlock_W697HF();
        outportb(W697HF_INDEX_PORT, W697HF_REG_LD);
        outportb(W697HF_DATA_PORT, LD);
        Lock_W697HF();
}

```

## INSTALLATION

---

```
}
//=====
void Set_W697HF_Reg(unsigned char REG, unsigned char DATA)
{
    Unlock_W697HF();
    outportb(W697HF_INDEX_PORT, REG);
    outportb(W697HF_DATA_PORT, DATA);
    Lock_W697HF();
}
//=====
unsigned char Get_W697HF_Reg(unsigned char REG)
{
    unsigned char Result;
    Unlock_W697HF();
    outportb(W697HF_INDEX_PORT, REG);
    Result = inportb(W697HF_DATA_PORT);
    Lock_W697HF();
    return Result;
}
//=====
```

Filename : W627DHG.h

---

---

```
//-----
//
// THIS CODE AND INFORMATION IS PROVIDED "AS IS" WITHOUT WARRANTY OF ANY
// KIND, EITHER EXPRESSED OR IMPLIED, INCLUDING BUT NOT LIMITED TO THE
// IMPLIED WARRANTIES OF MERCHANTABILITY AND/OR FITNESS FOR A PARTICULAR
// PURPOSE.
//
//-----
#ifndef __W627DHG_H
#define __W627DHG_H                1
//-----
#define W627DHG_INDEX_PORT        (W627DHG_BASE)
#define W627DHG_DATA_PORT        (W627DHG_BASE+1)
//-----
#define W627DHG_REG_LD            0x07
//-----
#define W627DHG_UNLOCK            0x87
#define W627DHG_LOCK              0xAA
//-----
unsigned int Init_W627DHG(void);
void Set_W627DHG_LD(unsigned char);
void Set_W627DHG_Reg(unsigned char, unsigned char);
unsigned char Get_W627DHG_Reg(unsigned char);
//-----
#endif    //__W627DHG_H
```

# BIOS Setup

This chapter describes the different settings available in the AMI BIOS that comes with the board. The topics covered in this chapter are as follows:

BIOS Introduction .....	26
BIOS Setup .....	26
Main BIOS Setup .....	27
Advanced Settings .....	28
PCIPnP Settings .....	37
Boot Settings .....	39
Security Settings .....	40
Advanced Chipset Settings .....	41
Exit Setup .....	44
Load Optimal Defaults .....	44
Load Failsafe Defaults .....	44

### **BIOS Introduction**

The BIOS (Basic Input / Output System) installed in your computer system's ROM supports Intel processors. The BIOS provides critical low-level support for a standard device such as disk drives, serial ports and parallel ports. It also adds virus and password protection as well as special support for detailed fine-tuning of the chipset controlling the entire system.

### **BIOS Setup**

The BIOS provides a Setup utility program for specifying the system configurations and settings. The BIOS ROM of the system stores the Setup utility. When you turn on the computer, the BIOS is immediately activated. Pressing the <Del> key immediately allows you to enter the Setup utility. If you are a little bit late pressing the <Del> key, POST (Power On Self Test) will continue with its test routines, thus preventing you from invoking the Setup. If you still wish to enter Setup, restart the system by pressing the "Reset" button or simultaneously pressing the <Ctrl>, <Alt> and <Delete> keys. You can also restart by turning the system Off and back On again. The following message will appear on the screen:

```
Press <DEL> to Enter Setup
```

In general, you press the arrow keys to highlight items, <Enter> to select, the <PgUp> and <PgDn> keys to change entries, <F1> for help and <Esc> to quit.

When you enter the Setup utility, the Main Menu screen will appear on the screen. The Main Menu allows you to select from various setup functions and exit choices.

## Main BIOS Setup

This setup allows you to view processor configuration used in your computer system and set the system time and date.

BIOS SETUP UTILITY						
Main	Advanced	PCIPnP	Boot	Security	Chipset	Exit
<b>Processor</b> VIA Nano X2 U4300 @ 1.2 + GHz Speed : 1200MHz				Use[ENTER], [TAB] or [SHIFT-TAB] to select a field.		
<b>System Memory</b> Size : 1920MB				Use [+] or [-] to configure system Time.		
<b>System Time</b> System Date			[02:29:50] [Fri 08/19/2011]		<- Select Screen ↑ ↓ Select Item +- Change Field Tab Select Field F1 General Help F10 Save and Exit ESC Exit	

**Note:** *If the system cannot boot after making and saving system changes with Setup, the AMI BIOS supports an override to the CMOS settings that resets your system to its default.*

**Warning:** *It is strongly recommended that you avoid making any changes to the chipset defaults. These defaults have been carefully chosen by both AMI and your system manufacturer to provide the absolute maximum performance and reliability. Changing the defaults could cause the system to become unstable and crash in some cases.*

**Advanced Settings**

BIOS SETUP UTILITY

Main	Advanced	PCIPnP	Boot	Security	Chipset	Exit
<p><b>Advanced Settings</b></p> <p><b>WARNING: Setting wrong values in below sections may cause system to malfunction.</b></p> <ul style="list-style-type: none"> <li>▶ CPU Configurations</li> <li>▶ IDE Configuration</li> <li>▶ Super IO Configuration</li> <li>▶ Hardware Health Configuration</li> <li>▶ ACPI Configuration</li> <li>▶ MPS Configuration</li> <li>▶ PCI Express Configuration</li> <li>▶ USB Configuration</li> <li>▶ Remote Access Configuration</li> </ul>				<p><b>Configure CPU.</b></p> <p>&lt;- Select Screen            ↑ ↓ Select Item            +- Change Field            Tab Select Field            F1 General Help            F10 Save and Exit            ESC Exit</p>		

The Advanced BIOS Settings configurations are shown in the following pages, as seen in the computer screen. Please note that setting the wrong values may cause the system to malfunction.

BIOS SETUP UTILITY

Main	Advanced	PCIPnP	Boot	Security	Chipset	Exit
<p><b>Configure advanced CPU settings</b></p> <p><b>Module Version: 01.0E</b></p> <hr/> <p>Manufacturer: VIA            VIA Nano X2 U4300 @ 1.2+ GHz            Frequency : 1.20GHz            FSB Speed : 1068MHz            Cache L1 : 128 KB            Cache L2 : 1024 KB            Ratio Actual Value: 4.5</p>				<p><b>Configure CPU</b></p> <p>&lt;- Select Screen            ↑ ↓ Select Item            +- Change Field            Tab Select Field            F1 General Help            F10 Save and Exit            ESC Exit</p>		
<p>CMPXCHG8B instruction support [Enabled]            Enable MSR 3A [2] [0] [Enabled]            Enhanced C-state [Enabled]            VIA Processor Power Management [Enabled]</p>						



The CPU Configuration menu shows the following CPU details including the manufacturer, CPU type, its frequency and cache levels. Other options include:

**CMPXCHG8B instruction support**

If you want to install Windows NT 4.0 you must disable it.

**Enable MSR 3A [2] [0]**

VMX enable

**Enhanced C-state**

Disable or Enable

**VIA Processor Power Management**

Enable: CPU speed is set to maximum.

Disable: CPU speed is set to minimum.

BIOS SETUP UTILITY						
Main	Advanced	PCInP	Boot	Security	Chipset	Exit
<b>IDE Configuration</b>					Configure the IDE device (s).	
Serial ATA IDE devices						
▶ Primary IDE Master			: [Hard Disk]			
▶ Primary Slave Master			: [Not Detected]			
SATA Configure as			[IDE]			
Channel Operating as			[Native PCI]			
Enhanced SATA Power Management			[Disabled]			
HIPM Function Port0			[Disabled]			
HIPM Function Port1			[Disabled]			
VIA SATA Driver Cap Port0			[Hot Plug]			
VIA SATA Driver Cap Port1			[Link PM]			
					<- Select Screen ↑ ↓ Select Item +- Change Field Tab Select Field F1 General Help F10 Save and Exit ESC Exit	

The IDE Configuration menu is used to change and/or set the configuration of the IDE devices installed in the system.

**SATA Configure as**

IDE or RAID

**Channel Operating as IDE**

Compatibility or Native PCI

## Enhanced SATA Power Management

Enhance SATA Power Management

## HIPM Function Port1

SATA HIPM function control

## VIA SATA Driver Cap Port0 / 1

SATA Port Capability Enabling by VIA SATA driver

### BIOS SETUP UTILITY

Main	Advanced	PCIPnP	Boot	Security	Chipset	Exit
<b>Configure Win627DHG Super IO Chipset</b>						
Serial Port1 Address			[3F8/IRQ4]			
Parallel Port Address			[378]			
Parallel Port Mode			[Normal]			
Parallel Port IRQ			[IRQ7]			
						<- Select Screen ↑ ↓ Select Item +- Change Field Tab Select Field F1 General Help F10 Save and Exit ESC Exit

## Serial Port1 Address

Allow BIOS to Select Serial Port1 Base Addresses.

## Parallel Port Address

Allow BIOS to Select Parallel Port Base Addresses.

**BIOS SETUP UTILITY**

<b>Main</b>	<b>Advanced</b>	<b>PCIPnP</b>	<b>Boot</b>	<b>Security</b>	<b>Chipset</b>	<b>Exit</b>
<b>Hardware Health Configuration</b>						
System Temperature			:34°C/93°F			
CPU Temperature			:38°C/100°F			
VX900 Temperature			:38°C/100°F			
SYSFAN Speed			:0 RPM			
CPUFAN Speed			:0 RPM			
Vcore			:0.984 V			
+12V			:12.196 V			
+1.5VMem			:1.568 V			
+5V			:5.068 V			
						<b>&lt;- Select Screen</b>
						<b>↑ ↓ Select Item</b>
						<b>+ - Change Field</b>
						<b>Tab Select Field</b>
						<b>F1 General Help</b>
						<b>F10 Save and Exit</b>
						<b>ESC Exit</b>

The Hardware Health Configuration menu is used to show the operating temperature, fan speeds and system voltages.

## BIOS SETUP UTILITY

Main	Advanced	PCI/PnP	Boot	Security	Chipset	Exit
<b>ACPI Settings</b>						
▶ Advanced ACPI Configuration		<b>Advance ACPI Configuration settings</b>  Use this section to configure additional ACPI options.  <- Select Screen ↑ ↓ Select Item +- Change Field Tab Select Field F1 General Help F10 Save and Exit ESC Exit				

## BIOS SETUP UTILITY

Advanced		
APIC Cycle Control	[CCA]	
PCICFG Cycle Control	[Block]	
<b>Advanced ACPI Configuration</b>		
ACPI Version Features	[ACPI v3.0]	<- Select Screen ↑ ↓ Select Item +- Change Field Tab Select Field F1 General Help F10 Save and Exit ESC Exit
ACPI APIC support	[Enable]	
AMI OEMB table	[Enable]	
Headless Mode	[Disable]	

**APIC Cycle Control**

PCI or CCA

**PCICFG Cycle Control**

Not Block or Block

**ACPI Version Features**

Enable RSDP pointers to 64-bit Fixed System Description Tables. Different ACPI version has some addition.

**ACPI APIC support**

Include ACPI APIC table pointer to RSDT pointer list.

**AMI OEMB table**

Include OEMB table pointer to R (X) SDT pointer lists.

**Headless mode**

Enable / Disable Headless operation mode through ACPI.

BIOS SETUP UTILITY						
Main	Advanced	PCIPnP	Boot	Security	Chipset	Exit
<b>MPS Configuration</b>				Select MPS Revision.		
MPS Revision			[1.4]			
				<- Select Screen ↑ ↓ Select Item +- Change Field Tab Select Field F1 General Help F10 Save and Exit ESC Exit		

**MPS Version Control for OS**

This option is specifies the MPS (Multiprocessor Specification) version for your operating system. MPS version 1.4 added extended configuration tables to improve support for multiple PCI bus configurations and improve future expandability.

The default setting is **1.4**.

BIOS SETUP UTILITY

Main	Advanced	PCIPnP	Boot	Security	Chipset	Exit
<b>PCI Express Configuration</b>				Enable/Disable PCI Express Device Relaxed Ordering.		
Relaxed Ordering			[Auto]			
Maximum Payload Size			[Auto]			
Extended Tag field			[Auto]			
No Snoop			[Auto]	<- Select Screen		
Maximum Read Request Size			[Auto]	↑ ↓ Select Item		
Active State Power Management			[Enable]	+- Change Field		
Extended Synch			[Auto]	Tab Select Field		
				F1 General Help		
				F10 Save and Exit		
				ESC Exit		

## USB Configuration

This option is used to configure USB mass storage class devices.

BIOS SETUP UTILITY						
Main	Advanced	PCIPnP	Boot	Security	Chipset	Exit
<b>USB Configuration</b>		Enables support for legacy USB. AUTO option disables legacy support if no USB devices are connected.				
Module Version – 2.24.5-13.4						
USB Devices Enabled: 1 Keyboard						
==VT3410 USB Setup Items==						
OnChip UHCI Device			[Enabled]			
OnChip UHCI2 Device			[Enabled]			<- Select Screen
OnChip UHCI3 Device			[Enabled]			↑ ↓ Select Item
OnChip UHCI4 Device			[Enabled]			+ - Change Field
OnChip EHCI Device			[Enabled]			Tab Select Field
USB Device Mode Enable			[Disabled]			F1 General Help
Legacy USB Support						F10 Save and Exit
USB 2.0 Controller Mode			[HiSpeed]			ESC Exit
BIOS EHCI Hand-Off			[Enabled]			
Legacy USB1.1 HC Support			[Enabled]			

### Legacy USB Support

Enables support for legacy USB. AUTO option disables legacy support if no USB devices are connected.

### USB 2.0 Controller Mode

Configures the USB 2.0 controller in HiSpeed (480Mbps) or FullSpeed (12Mbps).

### BIOS EHCI Hand-Off

This is a workaround for OSes without EHCI hand-off support. The EHCI ownership change should claim by EHCI driver.

### Legacy USB1.1 HC Support

Support USB 1.1 HC.

BIOS SETUP UTILITY

Main	Advanced	PCIPnP	Boot	Security	Chipset	Exit
<b>Configure Remote Access type and parameters</b>				<b>Select Remote Access type.</b>		
Remote Access			[Enabled]			
Serial port number			[COM1]			
Base Address, IRQ			[3F8h, 4]			
Serial Port Mode			[115200 8,n,1]			
Flow Control			[None]			
Redirection After BIOS POST			[Disabled]			
Terminal Type			[ANSI]			
VT-UTF8 Combo Key Support			[Enabled]			
Sredir Memory Display Delay			[No Delay]			
				<- Select Screen ↑ ↓ Select Item +- Change Field Tab Select Field F1 General Help F10 Save and Exit ESC Exit		

When enabled, the Remote Access type and parameters are shown:

**Serial port number** - Select Serial Port for console redirection.

**Serial port mode** - Select Serial Port settings.

**Flow Control** - Select Flow Control for console redirection.

**Redirection After BIOS POST**

*Disable:* Turns off the redirection after POST.

*Boot Loader:* Redirection is active during POST and during Boot Loader. *Always:* Redirection is always active. (Some OSs may not work if set to Always.)

**Terminal Type** - Select the target terminal type.

**VT-UTF8 Combo Key Support** – Enable VT-UTF8 Combination Key Support for ANSI/VT100 terminals.

**Sredir Memory Display Delay** – Gives the delay in seconds to display memory information.



## PCIPnP Settings

BIOS SETUP UTILITY

Main	Advanced	PCIPnP	Boot	Security	Chipset	Exit
<b>Advanced PCI/PnP Settings</b>					<b>Clear NVRAM during System Boot</b>	
WARNING: Setting wrong values in below sections may cause system to malfunction.						
	Clear NVRAM		[No]			
	Plug & Play O/S		[No]			
	PCI Latency Timer		[64]			
	Allocate IRQ to PCI VGA		[Yes]			
	Palette Snooping		[Disabled]			
	PCI IDE BusMaster		[Enabled]			
	OffBoard PCI/ISA IDE Card		[Auto]			
	IRQ3		[Available]			
	IRQ4		[Available]			
	IRQ5		[Available]			
	IRQ7		[Available]			
	IRQ9		[Available]			
	IRQ10		[Available]			
	IRQ11		[Available]			
	IRQ14		[Available]			
	IRQ15		[Available]			
	DMA Channel 0		[Available]			
	DMA Channel 1		[Available]			
	DMA Channel 3		[Available]			
	DMA Channel 5		[Available]			
	DMA Channel 6		[Available]			
	DMA Channel 7		[Available]			
	Reserved Memory Size		[Disabled]			
	HotPlug Reserve I/O Port Size		[Auto]			
						<- Select Screen ↑ ↓ Select Item +- Change Field Tab Select Field F1 General Help F10 Save and Exit ESC Exit

### Clear NVRAM

This item is used for clearing NVRAM during system boot.

### Plug & Play O/S

This lets BIOS configure all devices in the system or lets the OS configure PnP devices not required for boot if your system has a Plug and Play OS.

### PCI Latency Timer

This item sets value in units of PCI clocks for PCI device latency timer register. Options are: 32, 64, 96, 128, 160, 192, 224, 248.

### **Allocate IRQ to PCI VGA**

This assigns IRQ to PCI VGA card if card requests IRQ or doesn't assign IRQ to PCI VGA card even if card requests an IRQ.

### **Palette Snooping**

This informs the PCI devices that an ISA graphics device is installed in the system so the card will function correctly.

### **PCI IDE BusMaster**

This uses PCI busmastering for BIOS reading / writing to IDE devices.

### **OffBoard PCI/ISA IDE Card**

Some PCI IDE cards may require this to be set to the PCI slot number that is holding the card. *AUTO*: Works for most PCI IDE cards.

### **IRQ#**

Use the IRQ# address to specify what IRQs can be assigned to a particular peripheral device.

### **Reserved Memory Size**

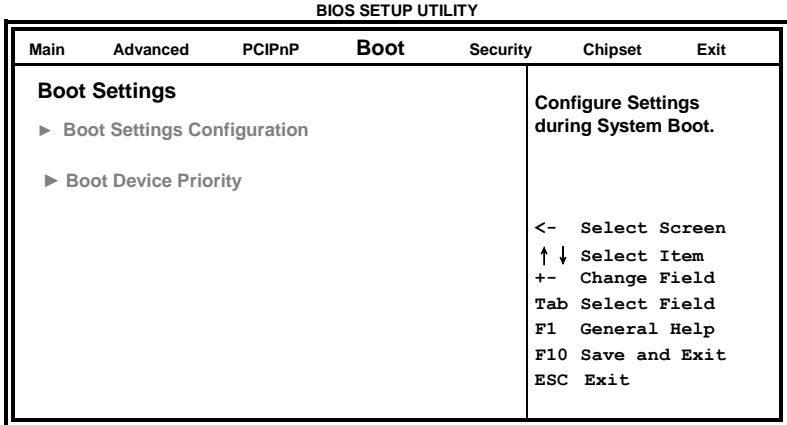
Size of memory block to reserve for legacy ISA devices.

### **HotPlug Reserve I/O Port Size**

Size of I/O port block to reserve for HotPlug or CardBus devices.

## Boot Settings

This option configures the settings during system boot including boot device priority and HDD/CD/DVD drives.



### Boot Settings Configuration

This configuration includes the following items:

**Quick Boot** - Allows BIOS to skip certain tests while booting. This will decrease the time needed to boot the system.

**Quiet Boot** – *Disabled*: Displays normal POST messages. *Enabled*: Displays OEM Logo instead of POST messages.

**Bootup Num-Lock** – Select Power-on state for Numlock.

**PS/2 Mouse Support** – Select support for PS/2 Mouse.

**Wait for 'F1' If Error** – Wait for F1 key to be pressed if error occurs.

**Hit 'DEL' Message Display** – Displays “Press DEL to run Setup” in POST.

**Interrupt 19 Capture** – This allows option ROMs to trap interrupt 19.

### Boot Device Priority

This specifies the boot sequence from the available devices. A device enclosed in parenthesis has been disabled in the corresponding type menu.

## Security Settings

This setting comes with two options set the system password. Supervisor Password sets a password that will be used to protect the system and Setup utility. User Password sets a password that will be used exclusively on the system. To specify a password, highlight the type you want and press <Enter>. The Enter Password: message prompts on the screen. Type the password and press <Enter>. The system confirms your password by asking you to type it again. After setting a password, the screen automatically returns to the main screen.

To disable a password, just press the <Enter> key when you are prompted to enter the password. A message will confirm the password to be disabled. Once the password is disabled, the system will boot and you can enter Setup freely.

BIOS SETUP UTILITY						
Main	Advanced	PCIPnP	Boot	Security	Chipset	Exit
<b>Security Settings</b>				<b>Install or Change the Password.</b>		
Supervisor Password : Not Installed				<- Select Screen ↑ ↓ Select Item +- Change Field Tab Select Field F1 General Help F10 Save and Exit ESC Exit		
User Password : Not Installed						
Change Supervisor Password						
Change User Password						
Boot Sector Virus Protection [Disabled]						

## Advanced Chipset Settings

This setting configures the north bridge and south bridge.

**WARNING!** Setting the wrong values may cause the system to malfunction. -

BIOS SETUP UTILITY

Main	Advanced	PCIPnP	Boot	Security	Chipset	Exit
<b>Advanced Chipset Settings</b>					<b>Configure North Bridge features.</b>	
<p><b>WARNING:</b> Setting wrong values in below sections may cause system to malfunction.</p> <p>▶ North Bridge VIA VX900 Configuration</p> <p>▶ South Bridge VIA VX900 Configuration</p>					<p>&lt;- Select Screen</p> <p>↑ ↓ Select Item</p> <p>+ - Change Field</p> <p>Tab Select Field</p> <p>F1 General Help</p> <p>F10 Save and Exit</p> <p>ESC Exit</p>	

BIOS SETUP UTILITY

Main	Advanced	PCIPnP	Boot	Security	Chipset	Exit
<b>DRAM Frequency/Timing Configuration</b>						
DRAM Clock			[Auto]		<p>&lt;- Select Screen</p> <p>↑ ↓ Select Item</p> <p>+ - Change Field</p> <p>Tab Select Field</p> <p>F1 General Help</p> <p>F10 Save and Exit</p> <p>ESC Exit</p>	
Bank Inter leave			[SPD]			
Output Impedance Control			[Normal]			
DDR2 Memory Chip ODT [DDR2/DDR			[Auto]			
DDR3 Dynamic ODT			[Aut0]			
VGA Share Memory (Frame Buffer)			[256MB]			
Internal VGA DVO Support			[Disabled]			
CPU Direct Access Frame Buffer			[Enable]			

### DRAM Clock

Auto, 400 MHz or 533 MHz

### Bank Inter leave

SPD, Non-Page, 2-Way, 4-Way or 8-Way

### Output Impedance Control

Normal or Weak

**DDR2 Memory Chip ODT [DDR2/DDR]**

Auto, Disabled, 75 ohm/60 ohm, 150 ohm/120 ohm, 50 ohm/40 ohm, NA/20 ohm, NA/30 ohm.

**DDR3 Dynamic ODT**

Auto, Disabled, RZQ/4 or RZQ/2

**VGA Share Memory (Frame Buffer)**

8, 16, 32, 64, 128, 256 or 512 MB

**Internal VGA DVO Support**

Disabled, DVOx8 or DVOx16 support.

**CPU Direct Access Frame Buffer**

Disable or Enable

Main	Advanced	PCIPnP	Boot	Security	Chipset	Exit
<b>PCIe-NB Configuration</b>						
Reset PCIe When Link Fail			[Enabled]			
Reset PE0 When Link Fail			[Enabled]			
Reset PE1 When Link Fail			[Enabled]			
Reset P2E When Link Fail			[Enabled]			
Reset PE3 When Link Fail			[Disabled]			
PCIe Target Link Speed			[Auto]			
PCIe Root Port			[Enabled]			
PCIe PE0 Control			[Enabled]			
PCIe PE1 Control			[Enabled]			
PCIe PE2 Control			[Enabled]			
PCIe PE3 Control			[Enabled]			
					<- Select Screen	
					↑ ↓ Select Item	
					+- Change Field	
					Tab Select Field	
					F1 General Help	
					F10 Save and Exit	
					ESC Exit	

## BIOS SETUP UTILITY

Main	Advanced	PCIPnP	Boot	Security	Chipset	Exit
<b>South Bridge VIA VX900 Configuration</b>						
* Show SMBus Device Control						[Disabled]
* SATA Gen2 Support						[Enabled]
* ISA Master Support						[Not Support]
* HPET Support						[Enabled]
* SMBus Device Switch						[New SMBus Device]
* SMBus Clock Switch						[128K Clock]
						<- Select Screen
						↑ ↓ Select Item
						+ - Change Field
						Tab Select Field
						F1 General Help
						F10 Save and Exit
						ESC Exit

## Exit Setup

The exit setup has the following settings that are:

BIOS SETUP UTILITY						
Main	Advanced	PCIPnP	Boot	Security	Chipset	Exit
<b>Exit Options</b>				<b>Exit system setup after saving the changes.</b>		
<b>Save Changes and Exit</b>						
Discard Changes and Exit						
Discard Changes						
Load Optimal Defaults						
Load Failsafe Defaults						
				<- Select Screen		
				↑ ↓ Select Item		
				+- Change Field		
				Tab Select Field		
				F1 General Help		
				F10 Save and Exit		
				ESC Exit		

### Save Changes and Exit

This option allows you to determine whether or not to accept the modifications and save all changes into the CMOS memory before exit.

### Discard Changes and Exit

This option allows you to exit the Setup utility without saving the changes you have made in this session.

### Discard Changes

This option allows you to discard all the changes that you have made in this session.

### Load Optimal Defaults

This option allows you to load the default values to your system configuration. These default settings are optimal and enable all high performance features.

### Load Failsafe Defaults

This option allows you to load the troubleshooting default values permanently stored in the BIOS ROM. These default settings are non-optimal and disable all high-performance features.



## Drivers Installation

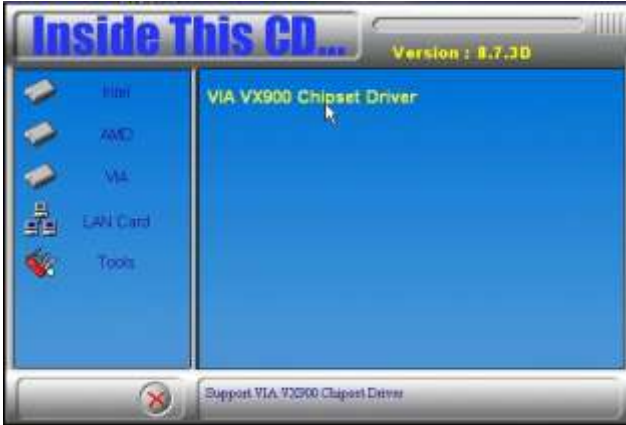
This section describes the installation procedures for software and drivers under the Windows OS. The software and drivers are included with the motherboard. If you find the items missing, please contact the vendor where you made the purchase. The contents of this section include the following:

VIA VX900 VGA Driver Installation.....	46
Intel® LAN Driver Installation.....	49

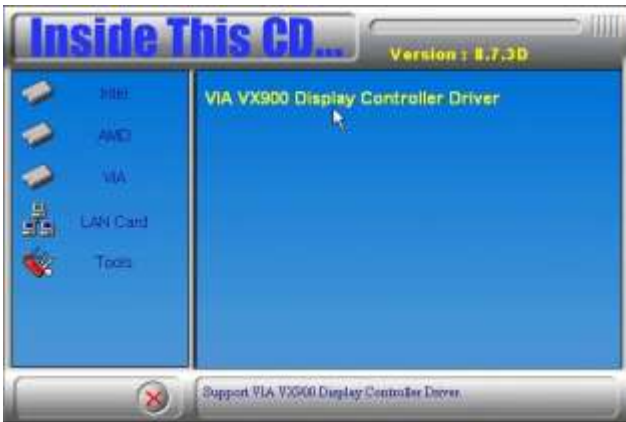
## **VIA VX900 VGA Driver Installation**

---

1. Insert the CD that comes with the board and the screen below would appear. Choose VIA and click **VIA VX900 Chipset Driver**. The VIA Setup Wizard welcome screen will appear.



2. In the following window, click all the components to be installed, and click **Next** to continue.



3. You are now asked to review setting before installing the components, click **Yes** to continue.



4. The following window shows you the installing status with the result. Click **Continue Anyway**.



5. The installation process is now complete. Restart the computer as prompted for changes to take effect.



## Realtek LAN Driver Installation

1. Insert the CD that comes with the motherboard and the screen below would appear. Click on **LAN Card**. On the next screen, click on **Realtek LAN Controller Drivers** and **Realtek RTL8111E LAN Drivers**. When the welcome screen appears, click **Next** to continue. After the installation, you will be prompted to restart the computer. Click **Finish**.



This page is intentionally left blank.